

Features

- The best LED Lamps to replace Halogen lamps
- HALED optical design with patent, comfortable light like halogen
- 4.8W only, equal to 50W halogen lamp(Follow new ErP)
- Dimmable by Traic Dimmer
- High PF, Flicker free, Low UGR, CRI>95, R9>95
- Directional lighting source
- Replace traditional halogen lamps directly and easily
- Glass body, classic design
- Used for all kinds of non-enclosed lighting fixtures
- Lifespan 40000 hrs, 5 years warranty



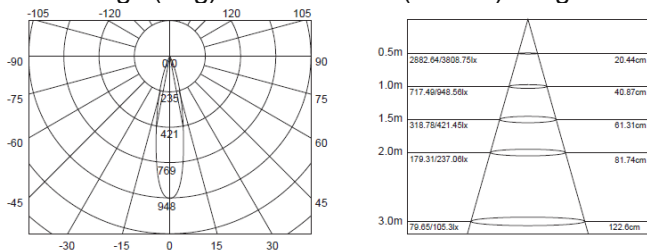
CE RoHS ErP

Applications:

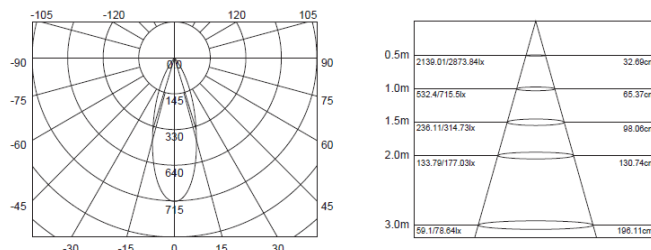
- Commercial Lighting: Hotels, Restaurants, Theater, Bars, Cafes, Shop Etc., Museum.
- Home Lighting: Villa, Residential buildings, house.
- All non-enclosed Directional lighting fixtures.

Technical data		
Part No.	DGU10 KC50T5-28313/ 28302	DGU10 WC50T5-28316/ 28305
Wattage (W)	4.5W	4.5W
Voltage (V)	AC200V-240V	AC200V-240V
Frequency (Hz)	50/60Hz	50/60Hz
Power factor	>0.8	>0.8
Dimmable	Dimmable	Dimmable
Color temperature (CCT)	2700K	3000K
Lumens(lm)	350	350
CRI	95	95
Beam angle (°)	24°/ 36°	24°/ 36°
Luminous intensity(cd)	1000cd/ 750cd	1100cd/ 800cd
Life Span(hrs)	40000hrs	40000hrs
Working temperatuer range	-20~+50℃	-20~+50℃
Storage temperature range	-20~+70℃	-20~+70℃
Gift Box Dimensions (LxWxH)	50*50*65mm	50*50*65mm
Inner Carton Dimensions (LxWxH)	270*110*80mm (10PCS)	270*110*80mm (10PCS)
Shipping Carton Dimensions(LxWxH)	580*285*185mm (100PCS)	580*285*185mm (100PCS)

Beam Angle(deg) & Illuminance (cd & lx) Diagram

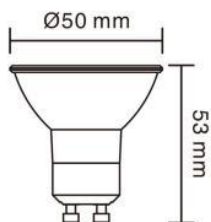


4.5W 350lm 2700K/ 24° / 1000cd



4.5W 350lm 2700K/ 3000K 36° / 750cd

Technical Drawings (mm)



Package



Gift Box 50*50*65mm



Inner Carton 270*110*80mm(10PCS)

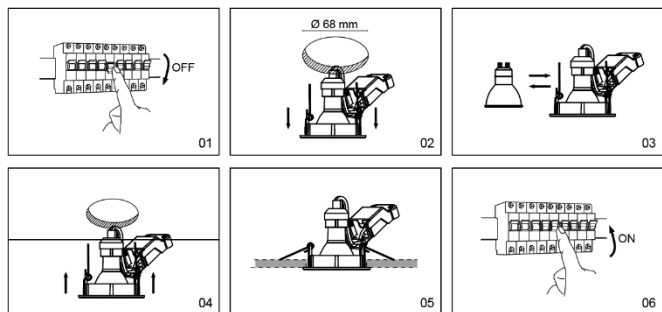


Shipping Carton 580*285*185mm(100PCS)

Installation /Mounting:

Please read the entire instruction manual before using the product and reserve it for future reference. We reserve the right for any error in text or image and any necessary change made to technical data. If you have any question regarding technical problems, please contact our Customer Services.

Replacement



Cautions:

- Don't touch the lamp when it is lighted
- Don't use it in enclosed fixtures
- Power off before replacement
- Do not in violation of any fire regulations when using
- Consult professional electricians for technical support
- If the cable is damaged, it must be replaced by the manufacturer and its service agent, or qualified person in order to avoid hazards.